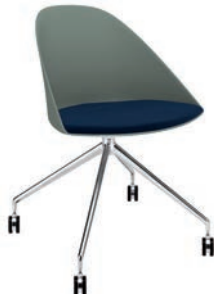


# Cila

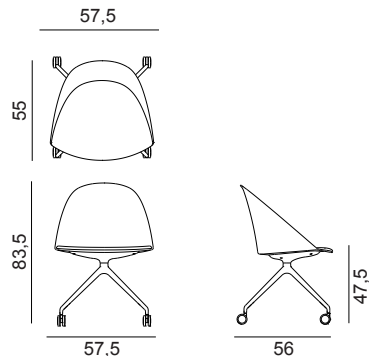
Design by Lievore Altherr, 2017

## Art. 2217

Chair with polished or powder-coated aluminium fixed trestle base, mounted on selfbraking castors. Polypropylene shell available in five colors, with seat cushion in leather, coated fabric, fabric or customer's own material.



### Dimensions \*



\* File CAD 2D - 3D available for download at [www.arper.com](http://www.arper.com)

### Frame Base



### Shell

#### Polypropylene



arper

www.arper.com

info@arper.com


# Cila


## Design by Lievore Altherr, 2017

---

### SHIPMENT DETAILS

**Art.2217**

1 pz = 2  - kg 14,4/ m³ 0,333

4 pz = 2  - kg 43,63/ m³ 0,501

### TECHNICAL SPECIFICATIONS

**Art.2217**

COL requirement m² 0.756

H 140 cm. COM Meterage m 0.41

### RESISTANCE TEST

- TUV GS (EN16139)

### FIRE RETARDANT TEST

### ENVIRONMENTAL CERTIFICATIONS



arper

www.arper.com  
info@arper.com

www.arper.com